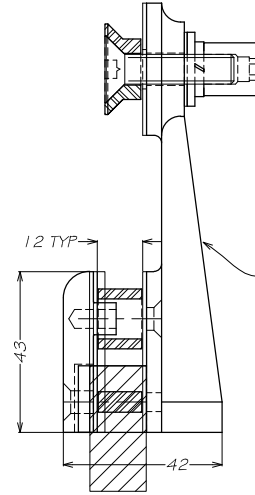
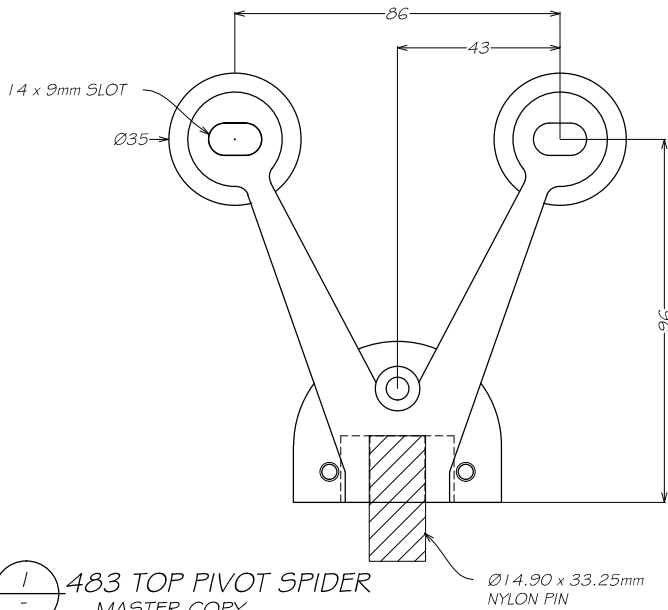


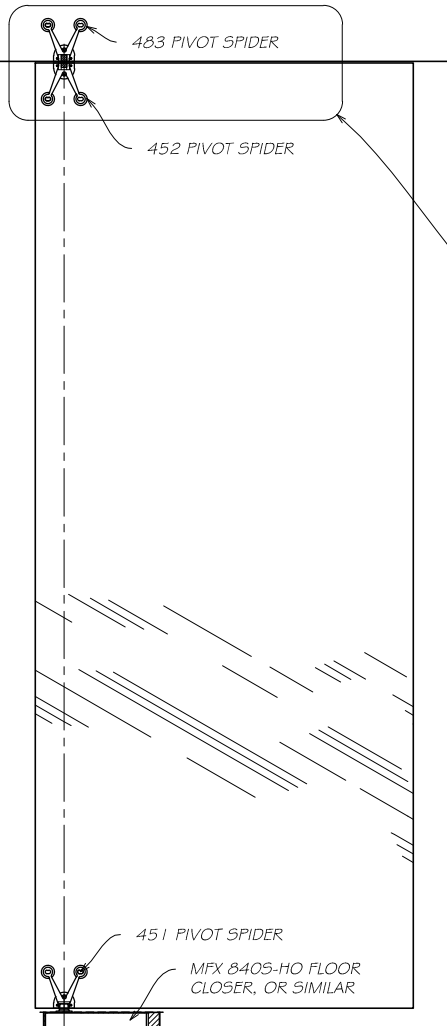
M8 AGA NUT
 M8 SPRING WASHER
 20 x 2 x M8 FLAT WASHER
 20 x 0.8 x M8 FIBRE GASKET
 452 SPIDER
 35 x 0.8 x M8 FIBRE GASKET
 M8 CSK BUSH, TO SUIT GLASS THICKNESS



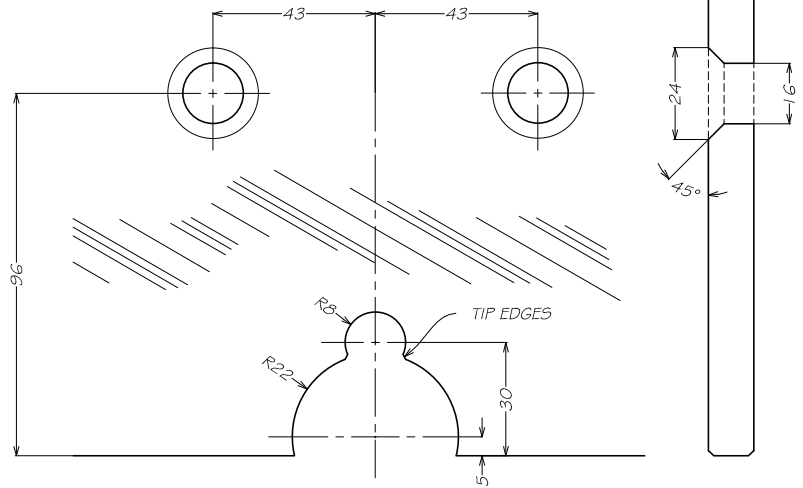
483 SPIDER FRONT PRESSING
 1mm RUBBER GASKET
 - M5 CSK SCREW TO SUIT WITH
 15.5 x 10.5 BUSH TO SUIT
 - 2 x M5 CSK SCREWS TO SUIT WITH
 1mm RUBBER GASKET
 483 BACK PRESSING

1 483 TOP PIVOT SPIDER
 MASTER COPY
 SCALE: 1:2

Ø14.90 x 33.25mm
 NYLON PIN



2 TYPICAL GLASS DETAILS
 FOR 10, 12 and 15mm GLASS
 SCALE: NTS



NOTE:

REFER TO TYPICAL GLASS CUTOUTS
 DRAWING FOR GLASS THICKNESSES ≥ 15 mm

AUSTVISION



METRO FRAMELESS GLASS SYSTEMS
 Unit 0/35 Maurice Road, Penrose, Auckland
 PO Box 112 186, Penrose, Auckland
 P: +64 9 622 2643
 F: +64 9 622 2648
 www.metroglasstech.co.nz

DOOR SPIDER SERIES
 CATALOGUE DRAWING
 483
 INCLUDES CUTOUT DETAILS

Architect: -
 Contractor: -

ISS:	REV	ISSUED	OWN BY	CHKD	DESCRIPTION
01	A	08/09/14	RS	-	ISSUED FOR CATALOGUE
Dwg No.:	01				

THIS DOCUMENT IS THE PROPERTY OF METRO GLASSTECH. IT MUST NOT BE COPIED NOR THE CONTENTS PASSED ON TO ANY THIRD PARTY WITHOUT THE CONSENT OF THE COMPANY.