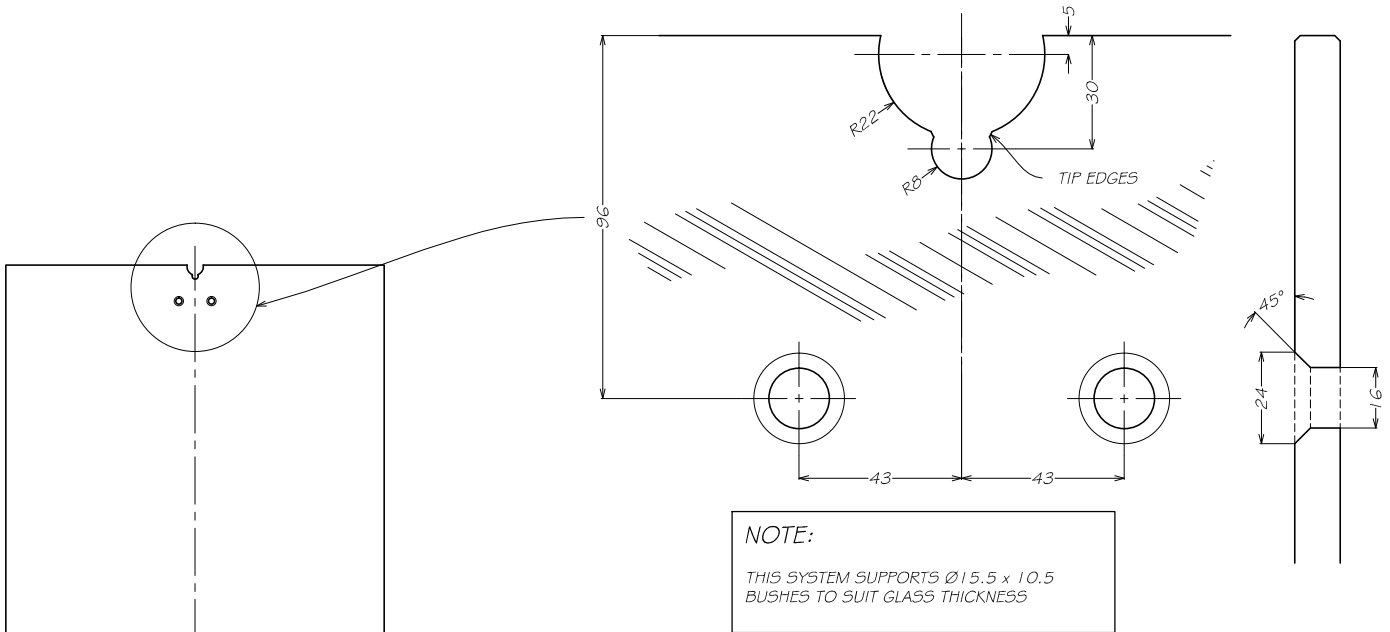
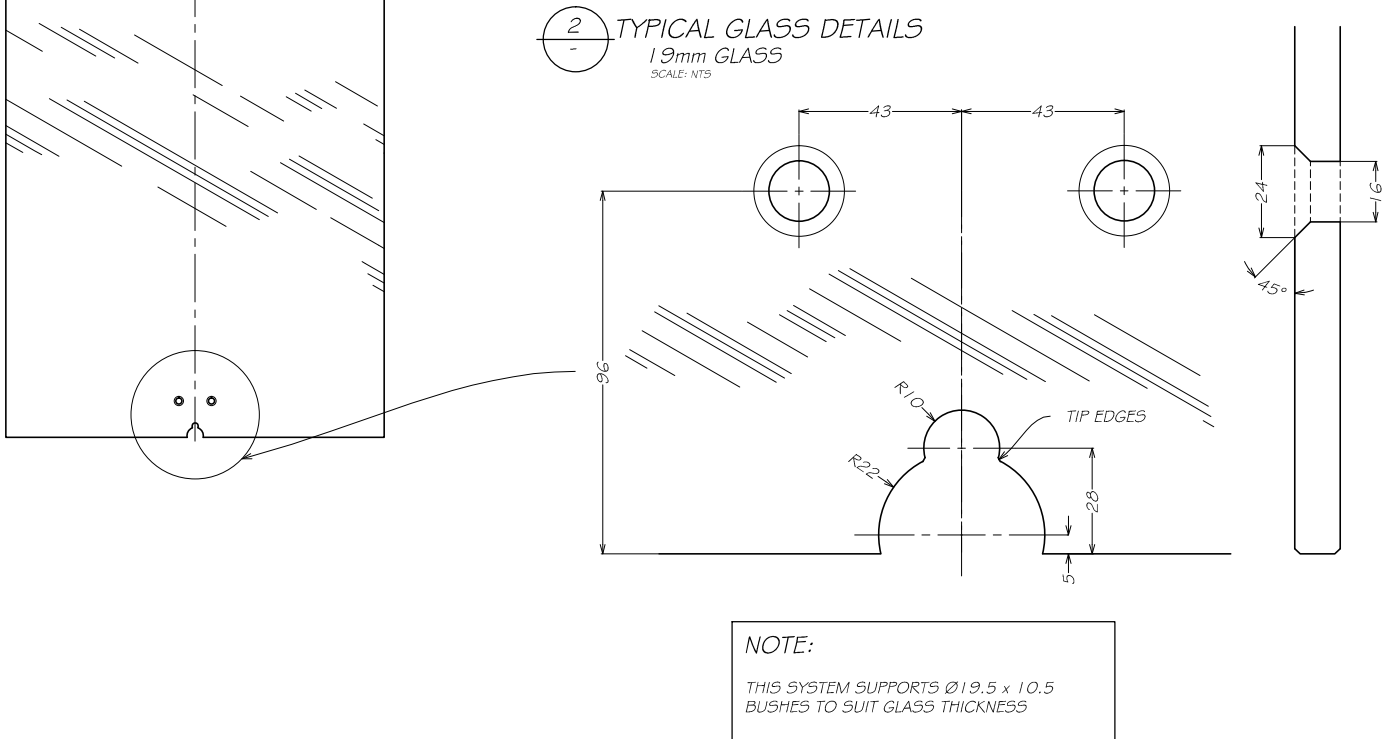


1 TYPICAL GLASS DETAILS
FOR 10, 12 and 15mm GLASS
SCALE: NTS



2 TYPICAL GLASS DETAILS
19mm GLASS
SCALE: NTS



ISS.	REV.	ISSUED	OWN BY	CHKD	DESCRIPTION
01	A	08/09/14	RS	-	ISSUED FOR CATALOGUE