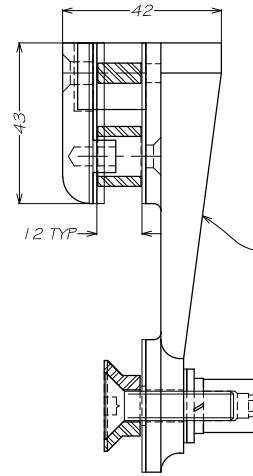
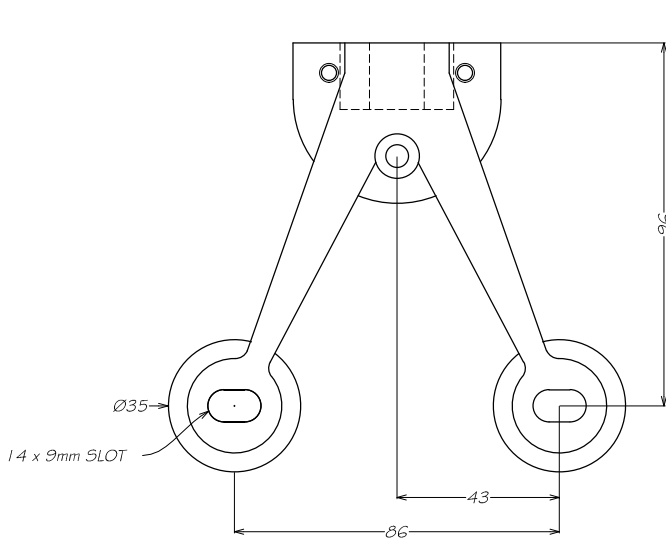
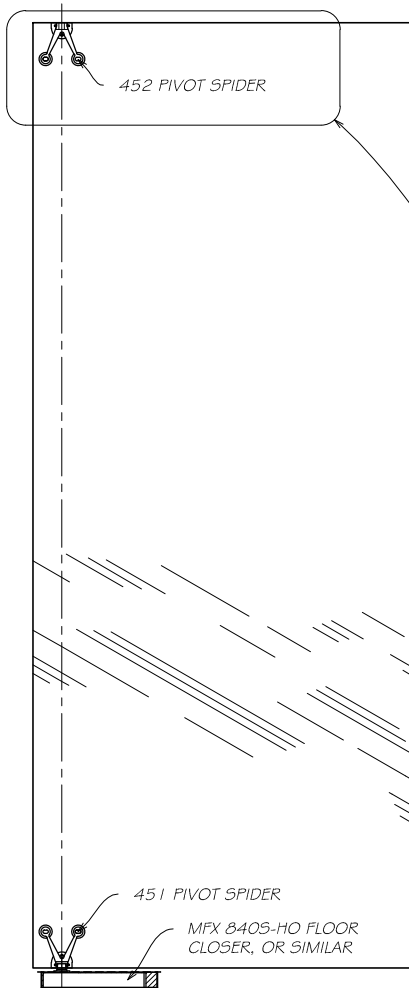


- M8 AGA NUT
- M8 SPRING WASHER
- 20 x 2 x M8 FLAT WASHER
- 20 x 0.8 x M8 FIBRE GASKET
- 452 SPIDER
- 35 x 0.8 x M8 FIBRE GASKET
- M8 CSK BUSH, TO SUIT GLASS THICKNESS

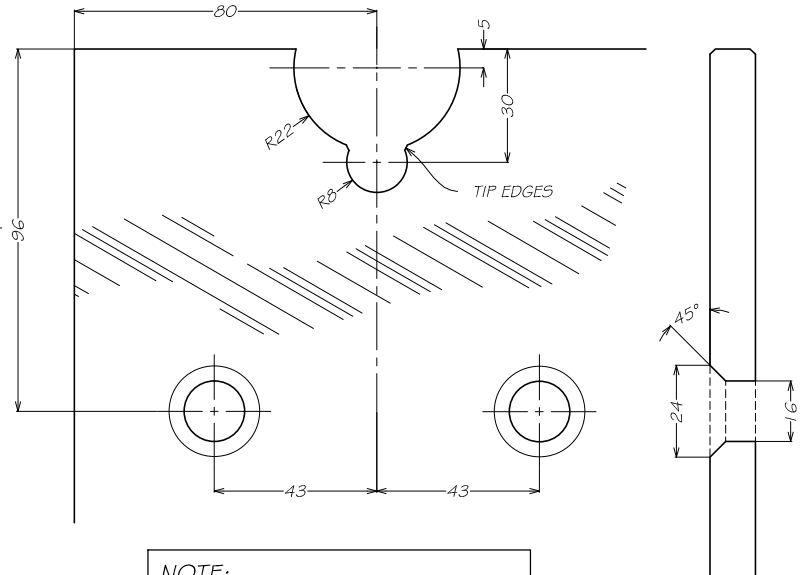


- 452 SPIDER FRONT PRESSING
- 1mm RUBBER GASKET
- M5 CSK SCREW TO SUIT WITH
- 15.5 x 10.5 BUSH TO SUIT
- 2 x M5 CSK SCREWS TO SUIT WITH
- 2 x PLASTIC SLEEVE BUSHES TO SUIT
- 1mm RUBBER GASKET
- 452 BACK PRESSING

1 452 TOP PIVOT SPIDER
MASTER COPY
SCALE: 1:2



2 TYPICAL GLASS DETAILS
FOR 10, 12 and 15mm GLASS
SCALE: NTS



NOTE:
REFER TO TYPICAL GLASS CUTOUTS
DRAWING FOR GLASS THICKNESSES $\geq 15\text{mm}$

REV	ISSUED	OWN BY	CHKD	DESCRIPTION
A	08/09/14	RS	-	ISSUED FOR CATALOGUE
Scale:	1:2	-	-	-
Dwg No.:	01	-	-	-

THIS DOCUMENT IS THE PROPERTY OF METRO GLASSTECH. IT MUST NOT BE COPIED NOR THE CONTENTS PASSED ON TO ANY THIRD PARTY WITHOUT THE CONSENT OF THE COMPANY.