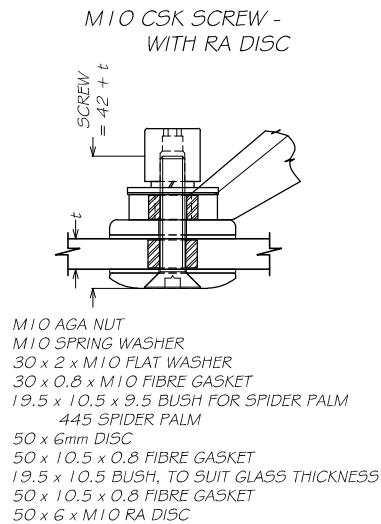
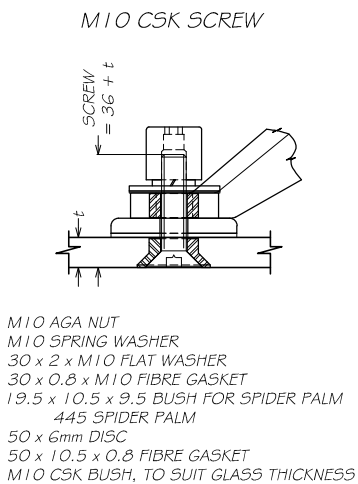
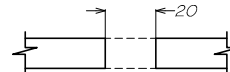
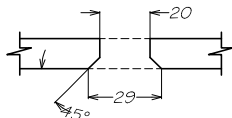


2 TYPICAL FIXING OPTIONS  
SCALE: NTS



HOLE DETAILS FOR TOUGHENED GLASS



HOLE DETAILS FOR TOUGHENED LAMINATED GLASS  
(THESE ARE PROJECT SPECIFIC. REFER TO MFG FOR DETAILS)

AUSTVISION



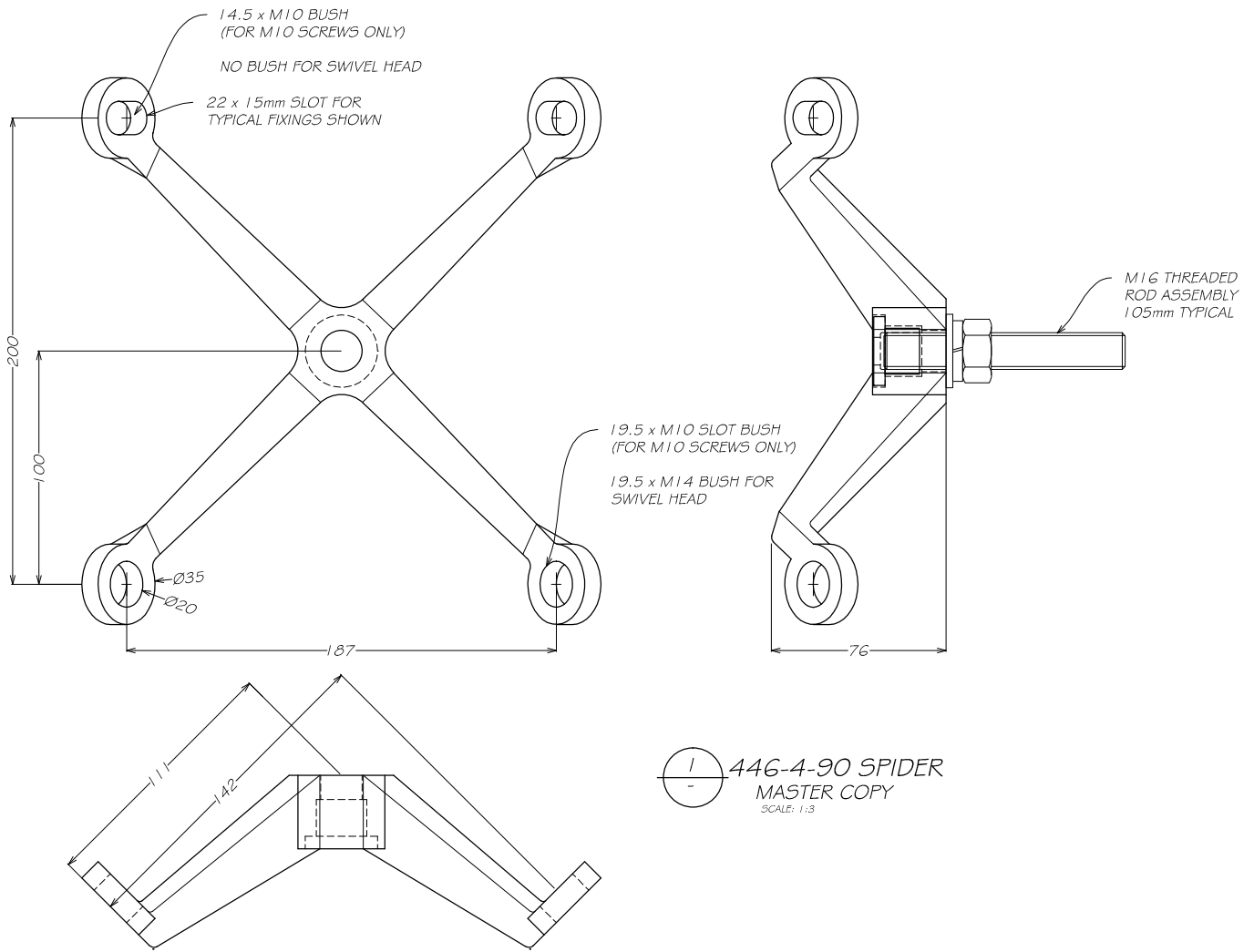
METRO FRAMELESS GLASS SYSTEMS  
Unit 0/35 Maurice Road, Penrose, Auckland  
PO Box 112 186, Penrose, Auckland  
P: +64 9 622 2643  
F: +64 9 622 2648  
www.metroglasstech.co.nz

446 SPIDER SERIES  
CATALOGUE DRAWING  
446-4-90  
WITH SCREW FIXINGS

Architect: -  
Contractor: -

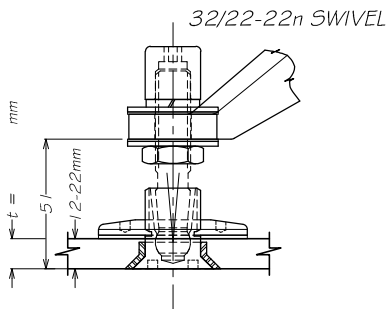
ISS:	REV	ISSUED	OWN BY	CHKD	DESCRIPTION
01	A	02/09/14	RS	WF	ISSUED FOR CATALOGUE
Scale:	1:3				
Draw No.:	01				

THIS DOCUMENT IS THE PROPERTY OF METRO GLASSTECH. IT MUST NOT BE COPIED NOR THE CONTENTS PASSED ON TO ANY THIRD PARTY WITHOUT THE CONSENT OF THE COMPANY.



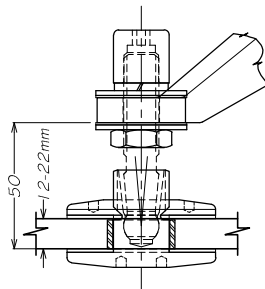
1 446-4-90 SPIDER  
MASTER COPY  
SCALE: 1:3

2 TYPICAL FIXING OPTIONS  
CONTINUED  
SCALE: N15



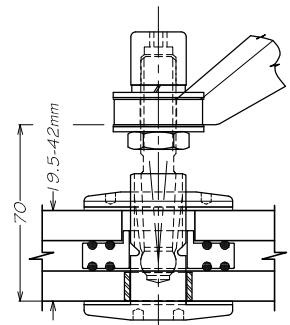
- M14 AGA NUT
- M14 SPRING WASHER
- 35 x 2 x M14 FLAT WASHER
- 35 x 0.8 x M14 FIBRE GASKET
- POSSIBLE 19.5 x 14.5 x 9.5 BUSH FOR SPIDER PALM  
445 SPIDER PALM
- 35 x 0.8 x M14 FIBRE GASKET
- 35 x 2 x M14 FLAT WASHER
- M14 NUT
- 32/22/22n SPIDER FITTING, INCLUDES BUSH TO SUIT  
GLASS THICKNESS

60/22-22n SWIVEL



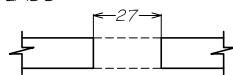
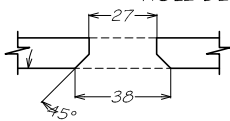
- M14 AGA NUT
- M14 SPRING WASHER
- 35 x 2 x M14 FLAT WASHER
- 35 x 0.8 x M14 FIBRE GASKET
- POSSIBLE 19.5 x 14.5 x 9.5 BUSH FOR SPIDER PALM  
445 SPIDER PALM
- 35 x 0.8 x M14 FIBRE GASKET
- 35 x 2 x M14 FLAT WASHER
- M14 NUT
- 60/22/22n SPIDER FITTING, INCLUDES BUSH TO SUIT  
GLASS THICKNESS

60/22-42n SWIVEL



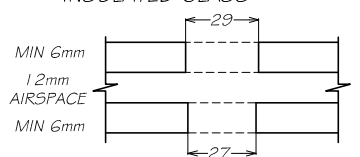
- M14 AGA NUT
- M14 SPRING WASHER
- 35 x 2 x M14 FLAT WASHER
- 35 x 0.8 x M14 FIBRE GASKET
- POSSIBLE 19.5 x 14.5 x 9.5 BUSH FOR SPIDER PALM  
445 SPIDER PALM
- 35 x 0.8 x M14 FIBRE GASKET
- 35 x 2 x M14 FLAT WASHER
- M14 NUT
- 60/22/42n SPIDER FITTING, INCLUDES  
BUSH TO SUIT GLASS THICKNESS
- IGU SPACER - 60 x 12mm DISC/ 60 x 1/2" DISC

HOLE DETAILS FOR TOUGHENED GLASS



HOLE DETAILS FOR TOUGHENED LAMINATED GLASS  
(THESE ARE PROJECT SPECIFIC. REFER TO MFG FOR DETAILS)

HOLE DETAILS FOR INSULATED GLASS



AUSTVISION



METRO FRAMELESS GLASS SYSTEMS  
Unit 0/35 Maurice Road, Penrose, Auckland  
PO Box 112 186, Penrose, Auckland  
P: +64 9 622 2643  
F: +64 9 622 2648  
www.metroglasstech.co.nz

446 SPIDER SERIES  
CATALOGUE DRAWING  
446-4-90  
WITH SWIVEL FIXINGS

Architect: -  
Contractor: -

REV	ISSUED	OWN BY	CHKD	DESCRIPTION	
1	A	0205/1/4	RS	WF	ISSUED FOR CATALOGUE
Scale:	1:3				
Dwg No.:	01				

THIS DOCUMENT IS THE PROPERTY OF METRO GLASSTECH. IT MUST NOT BE COPIED NOR THE CONTENTS PASSED ON TO ANY THIRD PARTY WITHOUT THE CONSENT OF THE COMPANY.