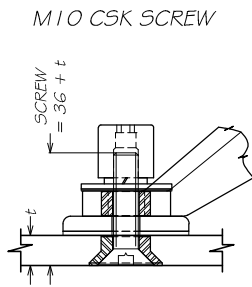
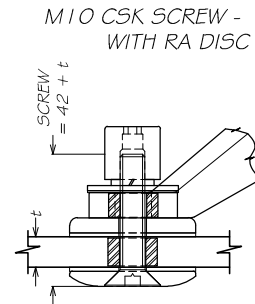


1
-
446-4-1 SPIDER
MASTER COPY
SCALE: 1:3

2
-
TYPICAL FIXING OPTIONS
SCALE: NTS

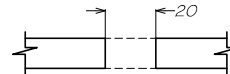
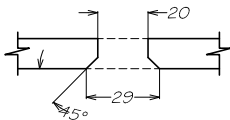


M10 AGA NUT
M10 SPRING WASHER
30 x 2 x M10 FLAT WASHER
30 x 0.8 x M10 FIBRE GASKET
19.5 x 10.5 x 9.5 BUSH FOR SPIDER PALM
446 SPIDER PALM
50 x 6mm DISC
50 x 10.5 x 0.8 FIBRE GASKET
M10 CSK BUSH, TO SUIT GLASS THICKNESS



M10 AGA NUT
M10 SPRING WASHER
30 x 2 x M10 FLAT WASHER
30 x 0.8 x M10 FIBRE GASKET
19.5 x 10.5 x 9.5 BUSH FOR SPIDER PALM
446 SPIDER PALM
50 x 6mm DISC
50 x 10.5 x 0.8 FIBRE GASKET
19.5 x 10.5 BUSH, TO SUIT GLASS THICKNESS
50 x 10.5 x 0.8 FIBRE GASKET
50 x 6 x M10 RA DISC

HOLE DETAILS FOR TOUGHENED GLASS



HOLE DETAILS FOR TOUGHENED LAMINATED GLASS
(THESE ARE PROJECT SPECIFIC. REFER TO MFG FOR DETAILS)

AUSTVISION



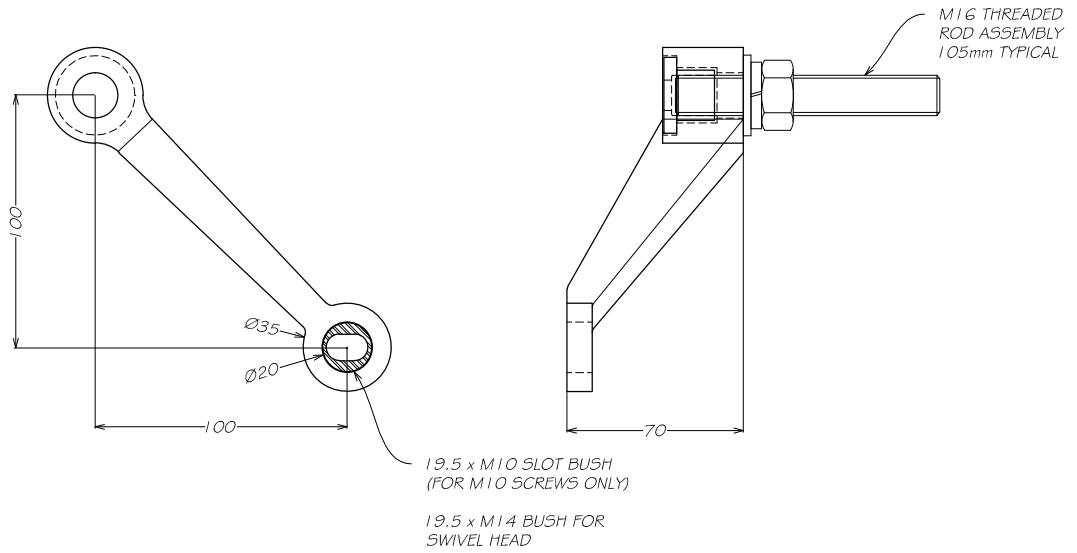
METRO FRAMELESS GLASS SYSTEMS
Unit 0/35 Maurice Road, Penrose, Auckland
PO Box 112 186, Penrose, Auckland
P: +64 9 622 2643
F: +64 9 622 2648
www.metroglasstech.co.nz

446 SPIDER SERIES
CATALOGUE DRAWING
446-4-1
WITH SCREW FIXINGS

Architect: -
Contractor: -

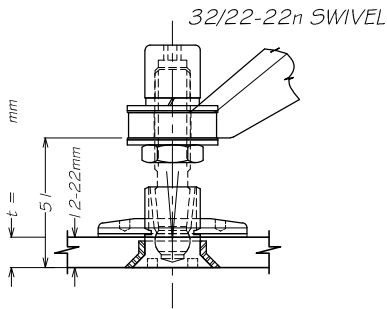
ISS.	REV.	ISSUED	OWN BY	CHKD	DESCRIPTION
01	A	02/05/14	RS	WF	ISSUED FOR CATALOGUE
Scale:	1:3				
Dwg No.:	01				

THIS DOCUMENT IS THE PROPERTY OF METRO GLASSTECH. IT MUST NOT BE COPIED NOR THE CONTENTS PASSED ON TO ANY THIRD PARTY WITHOUT THE CONSENT OF THE COMPANY.



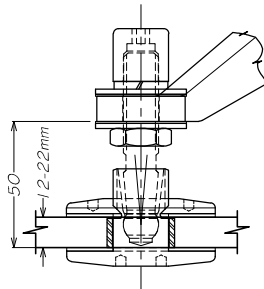
1
446-4-1 SPIDER
MASTER COPY
SCALE: 1:3

2
TYPICAL FIXING OPTIONS
CONTINUED
SCALE: NTS



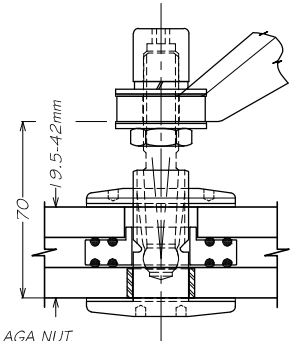
M14 AGA NUT
M14 SPRING WASHER
35 x 2 x M14 FLAT WASHER
35 x 0.8 x M14 FIBRE GASKET
POSSIBLE 19.5 x 14.5 x 9.5 BUSH FOR SPIDER PALM
446 SPIDER PALM
35 x 0.8 x M14 FIBRE GASKET
35 x 2 x M14 FLAT WASHER
M14 NUT
32/22/22n SPIDER FITTING, INCLUDES BUSH TO SUIT
GLASS THICKNESS

60/22-22n SWIVEL



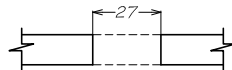
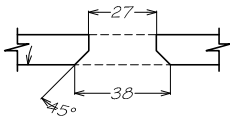
M14 AGA NUT
M14 SPRING WASHER
35 x 2 x M14 FLAT WASHER
35 x 0.8 x M14 FIBRE GASKET
POSSIBLE 19.5 x 14.5 x 9.5 BUSH FOR SPIDER PALM
446 SPIDER PALM
35 x 0.8 x M14 FIBRE GASKET
35 x 2 x M14 FLAT WASHER
M14 NUT
60/22/22n SPIDER FITTING, INCLUDES BUSH TO SUIT
GLASS THICKNESS

60/22-42n SWIVEL



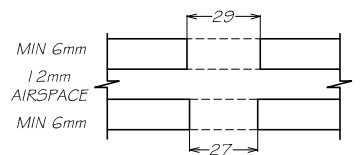
M14 AGA NUT
M14 SPRING WASHER
35 x 2 x M14 FLAT WASHER
35 x 0.8 x M14 FIBRE GASKET
POSSIBLE 19.5 x 14.5 x 9.5 BUSH FOR SPIDER PALM
446 SPIDER PALM
35 x 0.8 x M14 FIBRE GASKET
35 x 2 x M14 FLAT WASHER
M14 NUT
60/22/42n SPIDER FITTING, INCLUDES
BUSH TO SUIT GLASS THICKNESS
IGU SPACER - 60 x 12mm DISC/ 60 x 1/2" DISC

HOLE DETAILS FOR TOUGHENED GLASS



HOLE DETAILS FOR TOUGHENED LAMINATED GLASS
(THESE ARE PROJECT SPECIFIC. REFER TO MFG FOR DETAILS)

HOLE DETAILS FOR
INSULATED GLASS



AUSTVISION



METRO FRAMELESS GLASS SYSTEMS
Unit 0/35 Maurice Road, Penrose, Auckland
PO Box 112 186, Penrose, Auckland
P: +64 9 622 2643
F: +64 9 622 2648
www.metroglasstech.co.nz

446 SPIDER SERIES
CATALOGUE DRAWING
446-4-1
WITH SWIVEL FIXINGS

Architect: -
Contractor: -

REV	ISSUED	OWN BY	CHKD	DESCRIPTION	
1	A	0205/14	RS	WF	ISSUED FOR CATALOGUE
Scale:	1:3				
Dwg No.:	01				

THIS DOCUMENT IS THE PROPERTY OF METRO GLASSTECH. IT MUST NOT BE COPIED NOR THE CONTENTS PASSED ON TO ANY THIRD PARTY WITHOUT THE CONSENT OF THE COMPANY.