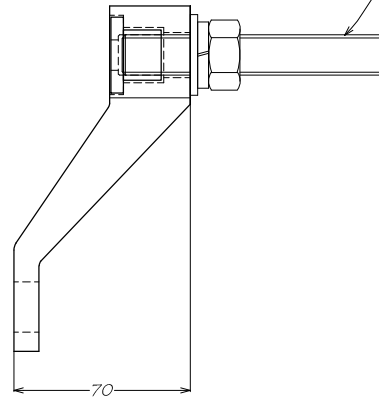


19.5 x M10 SLOT BUSH  
(FOR M10 SCREWS ONLY)  
19.5 x M14 BUSH FOR  
SWIVEL HEAD

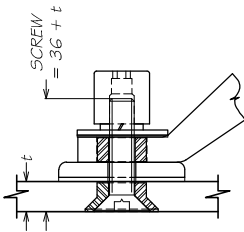


M16 THREADED  
ROD ASSEMBLY  
105mm TYPICAL

1  
-  
446-2-1 SPIDER  
MASTER COPY  
SCALE: 1:3

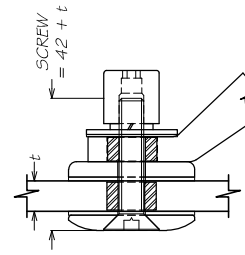
2  
-  
TYPICAL FIXING OPTIONS  
SCALE: NTS

M10 CSK SCREW



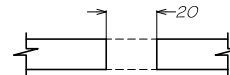
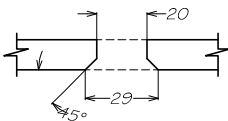
M10 AGA NUT  
M10 SPRING WASHER  
30 x 2 x M10 FLAT WASHER  
30 x 0.8 x M10 FIBRE GASKET  
19.5 x 10.5 x 9.5 BUSH FOR SPIDER PALM  
446 SPIDER PALM  
50 x 6mm DISC  
50 x 10.5 x 0.8 FIBRE GASKET  
M10 CSK BUSH, TO SUIT GLASS THICKNESS

M10 CSK SCREW -  
WITH RA DISC



M10 AGA NUT  
M10 SPRING WASHER  
30 x 2 x M10 FLAT WASHER  
30 x 0.8 x M10 FIBRE GASKET  
19.5 x 10.5 x 9.5 BUSH FOR SPIDER PALM  
446 SPIDER PALM  
50 x 6mm DISC  
50 x 10.5 x 0.8 FIBRE GASKET  
19.5 x 10.5 BUSH, TO SUIT GLASS THICKNESS  
50 x 10.5 x 0.8 FIBRE GASKET  
50 x 6 x M10 RA DISC

HOLE DETAILS FOR TOUGHENED GLASS



HOLE DETAILS FOR TOUGHENED LAMINATED GLASS  
(THESE ARE PROJECT SPECIFIC. REFER TO MFG FOR DETAILS)

AUSTVISION



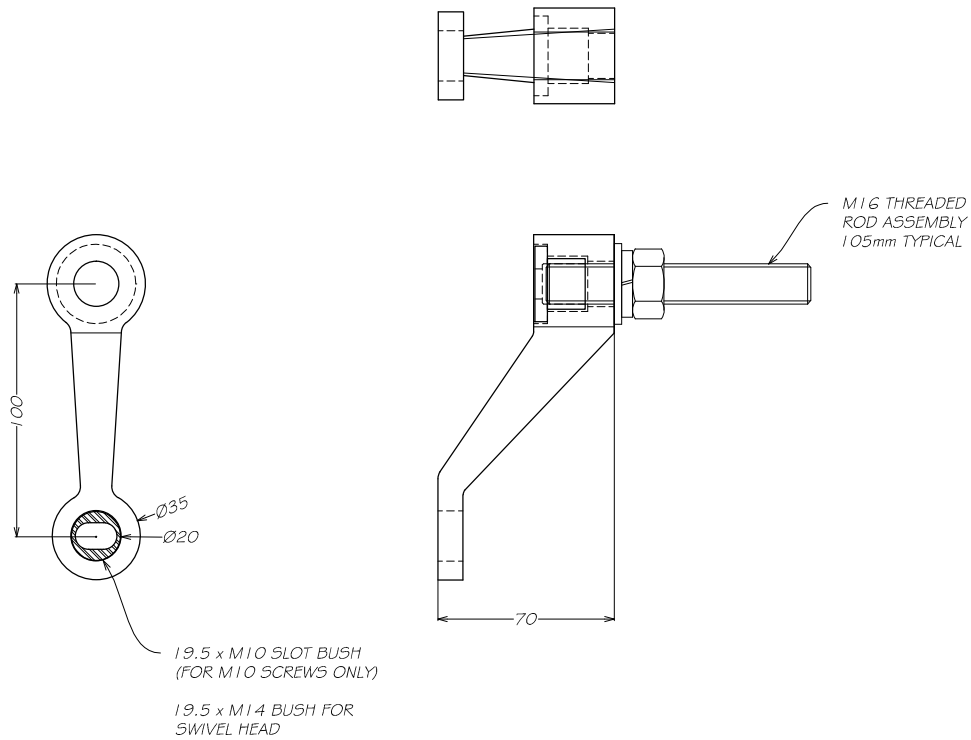
**METRO FRAMELESS GLASS SYSTEMS**  
Unit 0/35 Maurice Road, Penrose, Auckland  
PO Box 112 186, Penrose, Auckland  
P: +64 9 622 2643  
F: +64 9 622 2648  
www.metroglasstech.co.nz

**446 SPIDER SERIES**  
CATALOGUE DRAWING  
**446-2-1**  
WITH SCREW FIXINGS

Architect: -  
Contractor: -

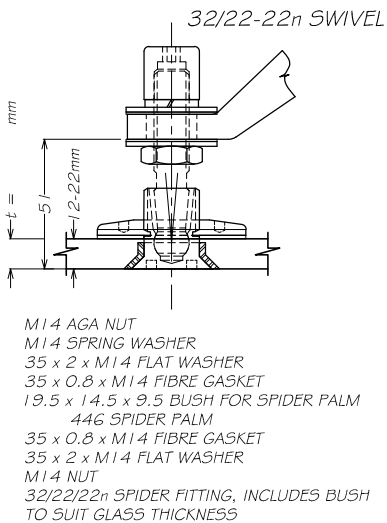
REV	ISSUED	OWN BY	CHKD	DESCRIPTION
A	02/05/14	RS	WF	ISSUED FOR CATALOGUE
Scale:	1:3			
Dwg No.:	01			

THIS DOCUMENT IS THE PROPERTY OF METRO GLASSTECH. IT MUST NOT BE COPIED NOR THE CONTENTS PASSED ON TO ANY THIRD PARTY WITHOUT THE CONSENT OF THE COMPANY.

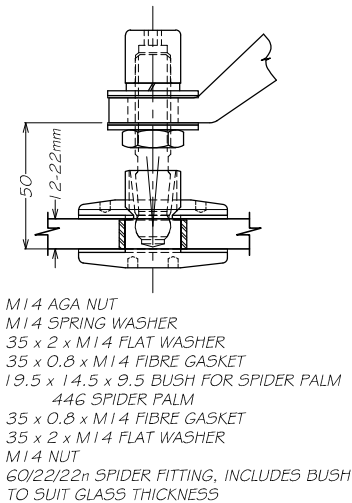


1  
-  
446-2-1 SPIDER  
MASTER COPY  
SCALE: 1:3

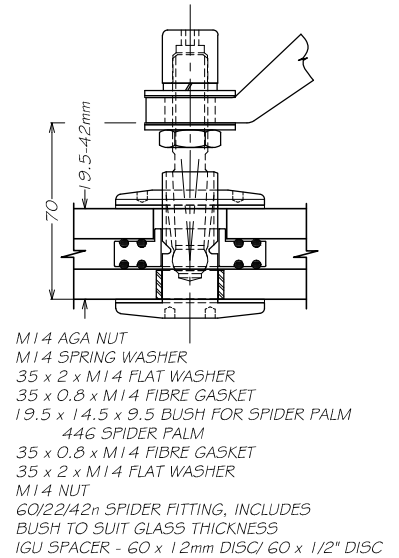
2  
-  
TYPICAL FIXING OPTIONS  
CONTINUED  
SCALE: NTS



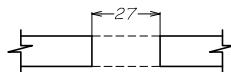
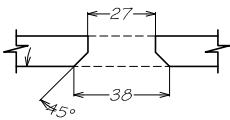
60/22-22n SWIVEL



60/22-42n SWIVEL

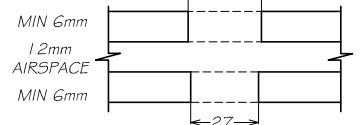


HOLE DETAILS FOR TOUGHENED GLASS



HOLE DETAILS FOR TOUGHENED LAMINATED GLASS  
(THESE ARE PROJECT SPECIFIC. REFER TO MFG FOR DETAILS)

HOLE DETAILS FOR INSULATED GLASS



AUSTVISION



METRO FRAMELESS GLASS SYSTEMS  
Unit 0/35 Maurice Road, Penrose, Auckland  
PO Box 112 186, Penrose, Auckland  
P: +64 9 622 2643  
F: +64 9 622 2648  
www.metroglasstech.co.nz

446 SPIDER SERIES  
CATALOGUE DRAWING  
446-2-1  
WITH SWIVEL FIXINGS

Architect: -  
Contractor: -

ISS:	REV	ISSUED	DWN BY	CHKD	DESCRIPTION
01	A	02/09/14	RS	WF	ISSUED FOR CATALOGUE
Scale:	1:3				
Dwg No.:	01				

THIS DOCUMENT IS THE PROPERTY OF METRO GLASSTECH. IT MUST NOT BE COPIED NOR THE CONTENTS PASSED ON TO ANY THIRD PARTY WITHOUT THE CONSENT OF THE COMPANY.