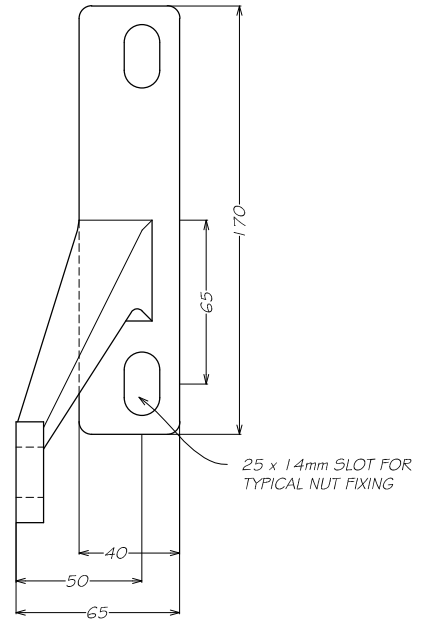
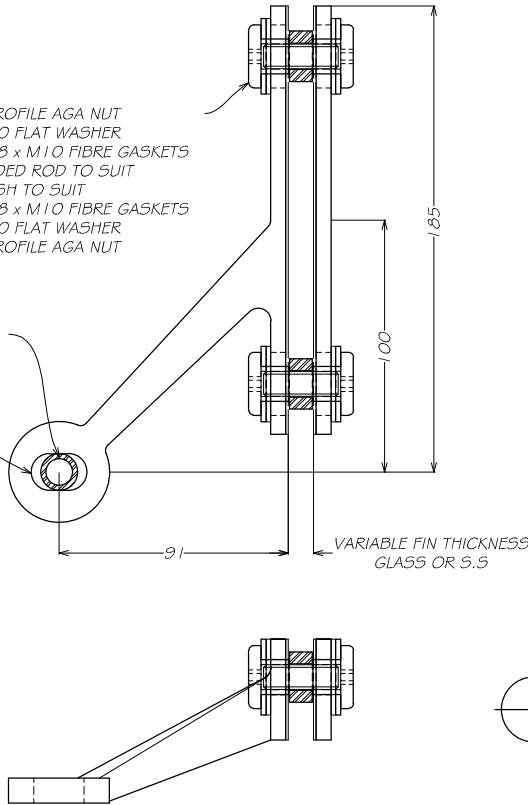


- M10 LOW PROFILE AGA NUT
- 30 x 2 x M10 FLAT WASHER
- 2 of 30 x 0.8 x M10 FIBRE GASKETS
- M10 THREADED ROD TO SUIT
- 20 x M10 BUSH TO SUIT
- 2 of 30 x 0.8 x M10 FIBRE GASKETS
- 30 x 2 x M10 FLAT WASHER
- M10 LOW PROFILE AGA NUT

14.5 x M10 BUSH  
(FOR M10 SCREWS ONLY)

NO BUSH FOR SWIVEL HEAD

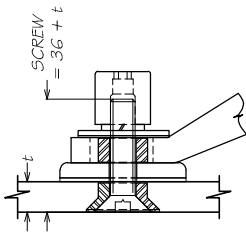
22 x 15mm SLOT FOR  
TYPICAL FIXINGS SHOWN



1  
-  
445-4-1Y SPIDER  
MASTER COPY  
SCALE: 1:3

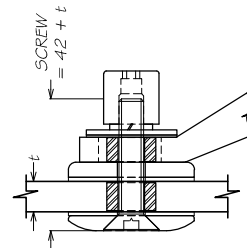
2  
-  
TYPICAL FIXING OPTIONS  
SCALE: NTS

M10 CSK SCREW



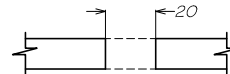
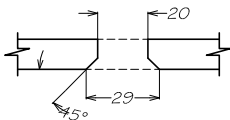
- M10 AGA NUT
- M10 SPRING WASHER
- 30 x 2 x M10 FLAT WASHER
- 30 x 0.8 x M10 FIBRE GASKET
- 14.5 x 10.5 x 9.5 BUSH FOR SPIDER PALM
- 445 SPIDER PALM
- 50 x 6mm DISC
- 50 x 10.5 x 0.8 FIBRE GASKET
- M10 CSK BUSH, TO SUIT GLASS THICKNESS

M10 CSK SCREW -  
WITH RA DISC



- M10 AGA NUT
- M10 SPRING WASHER
- 30 x 2 x M10 FLAT WASHER
- 30 x 0.8 x M10 FIBRE GASKET
- 14.5 x 10.5 x 9.5 BUSH FOR SPIDER PALM
- 445 SPIDER PALM
- 50 x 6mm DISC
- 50 x 10.5 x 0.8 FIBRE GASKET
- 19.5 x 10.5 BUSH, TO SUIT GLASS THICKNESS
- 50 x 10.5 x 0.8 FIBRE GASKET
- 50 x 6 x M10 RA DISC

HOLE DETAILS FOR TOUGHENED GLASS



HOLE DETAILS FOR TOUGHENED LAMINATED GLASS  
(THESE ARE PROJECT SPECIFIC. REFER TO MFG FOR DETAILS)

AUSTVISION



**METRO FRAMELESS GLASS SYSTEMS**  
Unit 0/35 Maurice Road, Penrose, Auckland  
PO Box 112 186, Penrose, Auckland  
P: +64 9 622 2643  
F: +64 9 622 2648  
www.metroglasstech.co.nz

445 SPIDER SERIES  
CATALOGUE DRAWING  
445-4-1Y  
WITH SCREW FIXINGS

Architect: -  
Contractor: -

| ISS:     | REV | ISSUED   | DWN BY | CHKD | DESCRIPTION          |
|----------|-----|----------|--------|------|----------------------|
| 01       | A   | 02/05/14 | RS     | W    | ISSUED FOR CATALOGUE |
| Scale:   | 1:3 |          |        |      |                      |
| Dwg No.: | 01  |          |        |      |                      |

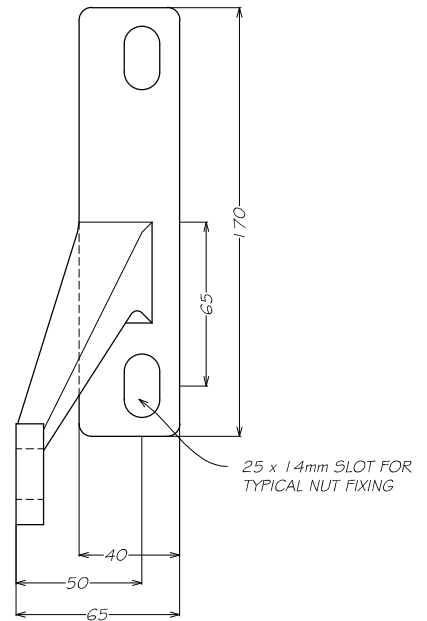
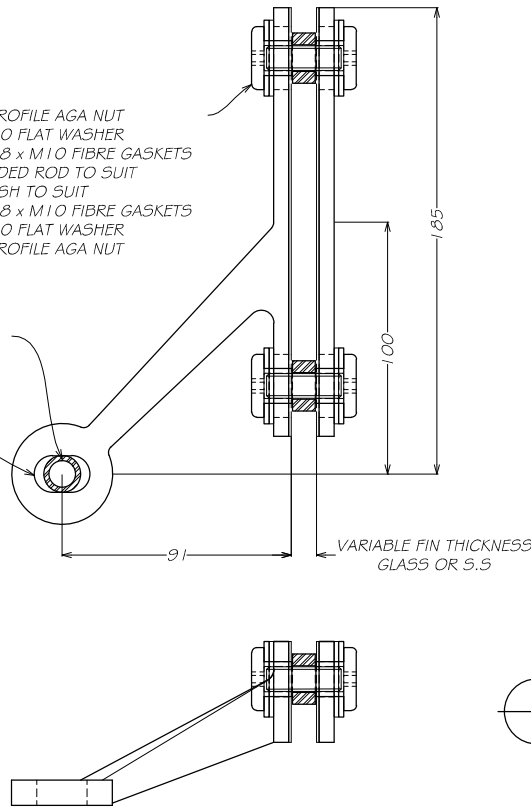
THIS DOCUMENT IS THE PROPERTY OF METRO GLASSTECH. IT MUST NOT BE COPIED NOR THE CONTENTS PASSED ON TO ANY THIRD PARTY WITHOUT THE CONSENT OF THE COMPANY.

- M10 LOW PROFILE AGA NUT
- 30 x 2 x M10 FLAT WASHER
- 2 of 30 x 0.8 x M10 FIBRE GASKETS
- M10 THREADED ROD TO SUIT
- 20 x M10 BUSH TO SUIT
- 2 of 30 x 0.8 x M10 FIBRE GASKETS
- 30 x 2 x M10 FLAT WASHER
- M10 LOW PROFILE AGA NUT

14.5 x M10 BUSH  
(FOR M10 SCREWS ONLY)

NO BUSH FOR SWIVEL HEAD

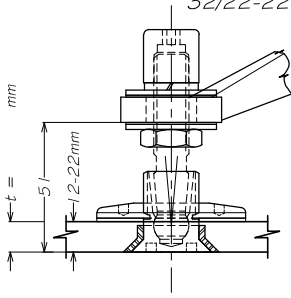
22 x 15mm SLOT FOR  
TYPICAL FIXINGS SHOWN



1  
-  
445-4-1Y SPIDER  
MASTER COPY  
SCALE: 1:3

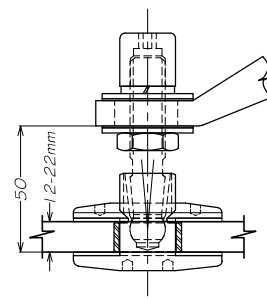
2  
-  
TYPICAL FIXING OPTIONS  
CONTINUED  
SCALE: NTS

32/22-22n SWIVEL



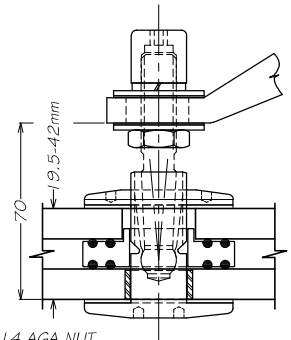
- M14 AGA NUT
- M14 SPRING WASHER
- 35 x 2 x M14 FLAT WASHER
- 35 x 0.8 x M14 FIBRE GASKET
- 445 SPIDER PALM
- 35 x 0.8 x M14 FIBRE GASKET
- 35 x 2 x M14 FLAT WASHER
- M14 NUT
- 32/22/22n SPIDER FITTING, INCLUDES BUSH TO SUIT GLASS THICKNESS

60/22-22n SWIVEL



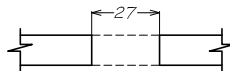
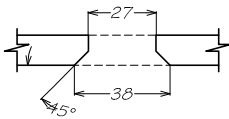
- M14 AGA NUT
- M14 SPRING WASHER
- 35 x 2 x M14 FLAT WASHER
- 35 x 0.8 x M14 FIBRE GASKET
- 445 SPIDER PALM
- 35 x 0.8 x M14 FIBRE GASKET
- 35 x 2 x M14 FLAT WASHER
- M14 NUT
- 60/22/22n SPIDER FITTING, INCLUDES BUSH TO SUIT GLASS THICKNESS

60/22-42n SWIVEL



- M14 AGA NUT
- M14 SPRING WASHER
- 35 x 2 x M14 FLAT WASHER
- 35 x 0.8 x M14 FIBRE GASKET
- 445 SPIDER PALM
- 35 x 0.8 x M14 FIBRE GASKET
- 35 x 2 x M14 FLAT WASHER
- M14 NUT
- 60/22/42n SPIDER FITTING, INCLUDES BUSH TO SUIT GLASS THICKNESS
- IGU SPACER - 60 x 12mm DISC/ 60 x 1/2" DISC

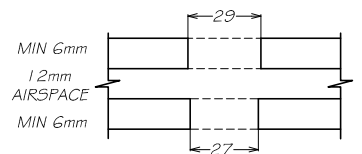
HOLE DETAILS FOR TOUGHENED GLASS



HOLE DETAILS FOR TOUGHENED LAMINATED GLASS

(THESE ARE PROJECT SPECIFIC. REFER TO MFG FOR DETAILS)

HOLE DETAILS FOR INSULATED GLASS



AUSTVISION



**METRO FRAMELESS GLASS SYSTEMS**  
Unit 0/35 Maunce Road, Penrose, Auckland  
PO Box 112 186, Penrose, Auckland  
P: +64 9 622 2643  
F: +64 9 622 2648  
www.metroglasstech.co.nz

**445 SPIDER SERIES**  
CATALOGUE DRAWING  
**445-4-1Y**  
WITH SWIVEL FIXINGS

Architect: -  
Contractor: -

| REV      | ISSUED | DWN BY  | CHKD | DESCRIPTION |                      |
|----------|--------|---------|------|-------------|----------------------|
| 1        | A      | GD05/14 | RS   | WF          | ISSUED FOR CATALOGUE |
| Scale:   | 1:3    |         |      |             |                      |
| Dwg No.: | 01     |         |      |             |                      |

THIS DOCUMENT IS THE PROPERTY OF METRO GLASSTECH. IT MUST NOT BE COPIED NOR THE CONTENTS PASSED ON TO ANY THIRD PARTY WITHOUT THE CONSENT OF THE COMPANY.