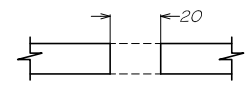
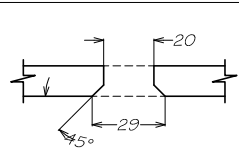
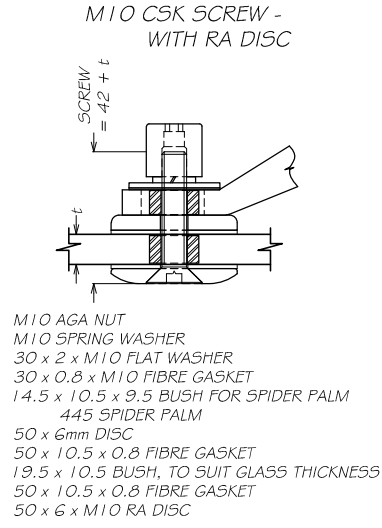
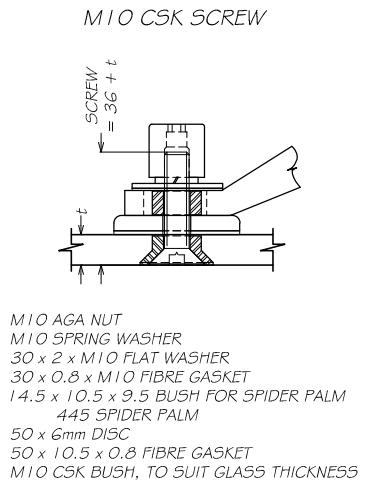


1 445-2 SPIDER
 MASTER COPY
 SCALE: 1:3

2 TYPICAL FIXING OPTIONS
 SCALE: NTS



HOLE DETAILS FOR TOUGHENED LAMINATED GLASS
 (THESE ARE PROJECT SPECIFIC. REFER TO MFG FOR DETAILS)

AUSTVISION

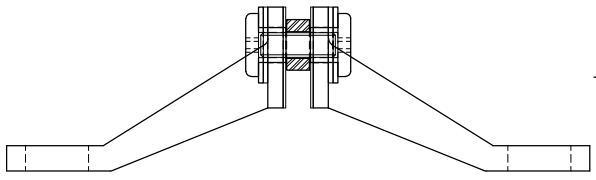
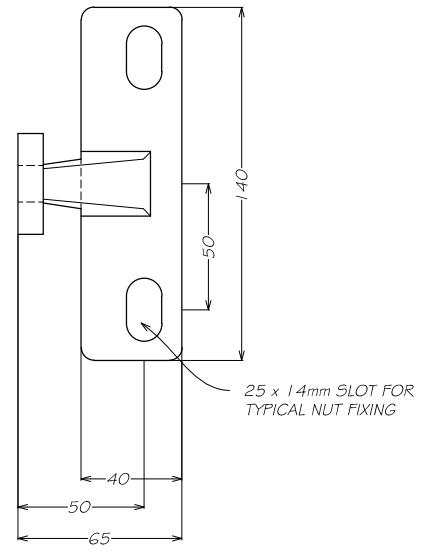
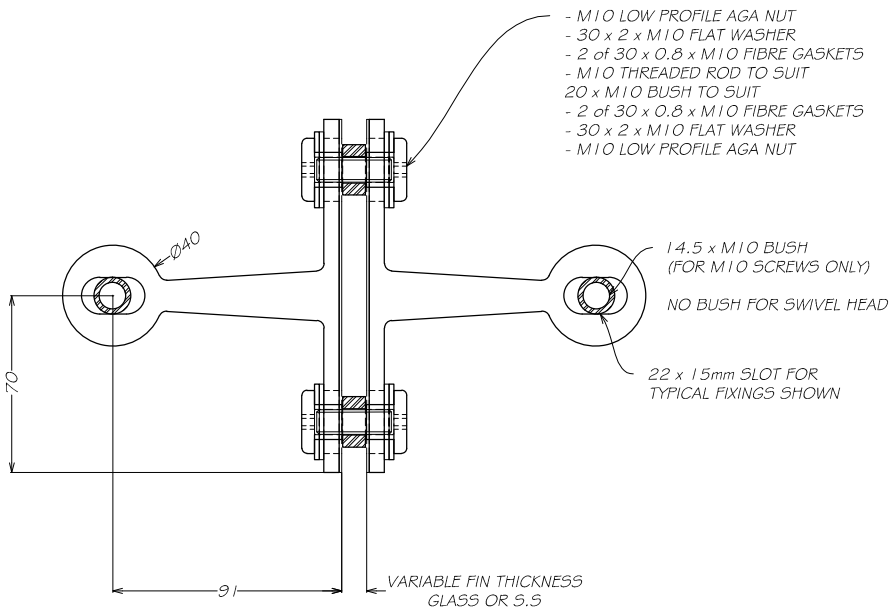
METRO FRAMELESS GLASS SYSTEMS
 Unit 0/35 Maurice Road, Penrose, Auckland
 PO Box 112 186, Penrose, Auckland
 P: +64 9 622 2643
 F: +64 9 622 2648
 www.metroglasstech.co.nz

445 SPIDER SERIES
 CATALOGUE DRAWING
445-2
 WITH SCREW FIXINGS

Architect: -
 Contractor: -

ISS:	REV	ISSUED	OWN BY	CHKD	DESCRIPTION
01	A	02/05/14	RS	WF	ISSUED FOR CATALOGUE
Scale:	1:3				
Dwg No.:	01				

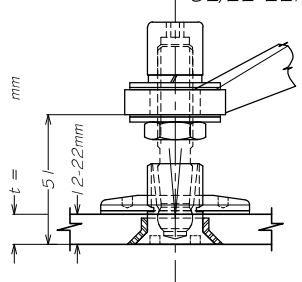
THIS DOCUMENT IS THE PROPERTY OF METRO GLASSTECH. IT MUST NOT BE COPIED NOR THE CONTENTS PASSED ON TO ANY THIRD PARTY WITHOUT THE CONSENT OF THE COMPANY.



1
 -
 445-2 SPIDER
 MASTER COPY
 SCALE: 1:3

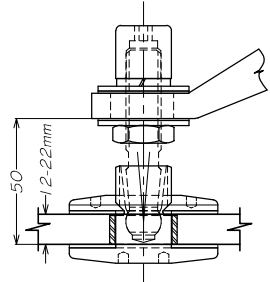
2
 -
 TYPICAL FIXING OPTIONS
 CONTINUED
 SCALE: NTS

32/22-22n SWIVEL



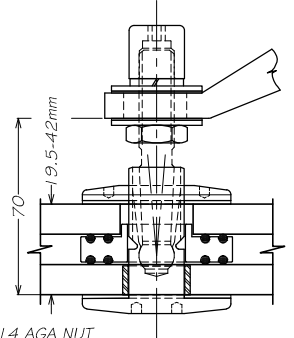
- M14 AGA NUT
- M14 SPRING WASHER
- 35 x 2 x M14 FLAT WASHER
- 35 x 0.8 x M14 FIBRE GASKET
- 445 SPIDER PALM
- 35 x 0.8 x M14 FIBRE GASKET
- 35 x 2 x M14 FLAT WASHER
- M14 NUT
- 32/22/22n SPIDER FITTING, INCLUDES BUSH TO SUIT GLASS THICKNESS

60/22-22n SWIVEL



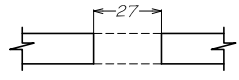
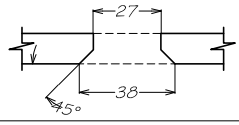
- M14 AGA NUT
- M14 SPRING WASHER
- 35 x 2 x M14 FLAT WASHER
- 35 x 0.8 x M14 FIBRE GASKET
- 445 SPIDER PALM
- 35 x 0.8 x M14 FIBRE GASKET
- 35 x 2 x M14 FLAT WASHER
- M14 NUT
- 60/22/22n SPIDER FITTING, INCLUDES BUSH TO SUIT GLASS THICKNESS

60/22-42n SWIVEL



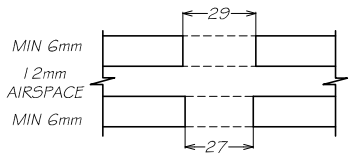
- M14 AGA NUT
- M14 SPRING WASHER
- 35 x 2 x M14 FLAT WASHER
- 35 x 0.8 x M14 FIBRE GASKET
- 445 SPIDER PALM
- 35 x 0.8 x M14 FIBRE GASKET
- 35 x 2 x M14 FLAT WASHER
- M14 NUT
- 60/22/42n SPIDER FITTING, INCLUDES BUSH TO SUIT GLASS THICKNESS
- IGU SPACER - 60 x 12mm DISC / 60 x 1/2" DISC

HOLE DETAILS FOR TOUGHENED GLASS



HOLE DETAILS FOR TOUGHENED LAMINATED GLASS
 (THESE ARE PROJECT SPECIFIC. REFER TO MFG FOR DETAILS)

HOLE DETAILS FOR INSULATED GLASS



AUSTVISION



METRO FRAMELESS GLASS SYSTEMS
 Unit 0/35 Maurice Road, Penrose, Auckland
 PO Box 112 186, Penrose, Auckland
 P: +64 9 622 2643
 F: +64 9 622 2648
 www.metroglasstech.co.nz

445 SPIDER SERIES
 CATALOGUE DRAWING
445-2
 WITH SWIVEL FIXINGS
 Architect: -
 Contractor: -

ISS:	REV	ISSUED	OWN BY	CHKD	DESCRIPTION
01	A	02/05/14	RS	WF	ISSUED FOR CATALOGUE
Scale:	1:3				
Dwg No.:	01				

THIS DOCUMENT IS THE PROPERTY OF METRO GLASSTECH. IT MUST NOT BE COPIED NOR THE CONTENTS PASSED ON TO ANY THIRD PARTY WITHOUT THE CONSENT OF THE COMPANY.