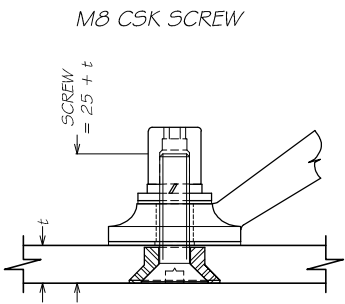
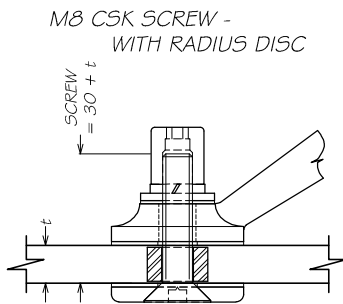


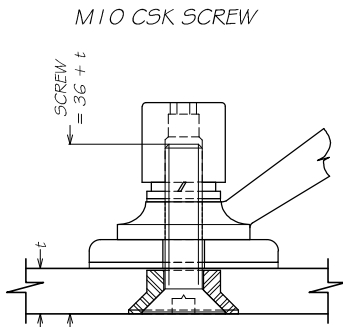
2 TYPICAL FIXING OPTIONS
SCALE: NTS



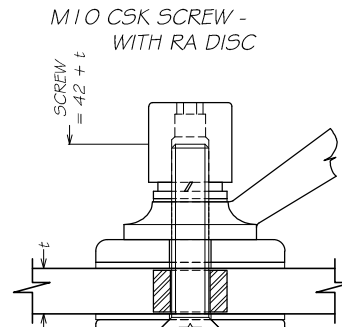
- M8 CSK SCREW**
- M8 AGA NUT
 - M8 SPRING WASHER
 - 20 x 2 x M8 FLAT WASHER
 - 20 x 0.8 x M8 FIBRE GASKET
 - 444 SPIDER PALM
 - 35 x 0.8 x M8 FIBRE GASKET
 - M8 CSK BUSH, TO SUIT GLASS THICKNESS



- M8 CSK SCREW - WITH RADIUS DISC**
- M8 AGA NUT
 - M8 SPRING WASHER
 - 20 x 2 x M8 FLAT WASHER
 - 20 x 0.8 x M8 FIBRE GASKET
 - 444 SPIDER PALM
 - 35 x 0.8 x M8 FIBRE GASKET
 - 14 x 8.5 BUSH, TO SUIT GLASS THICKNESS
 - 35 x 0.8 x M8 FIBRE GASKET
 - 35 x 4 x M8 BACKING DISC

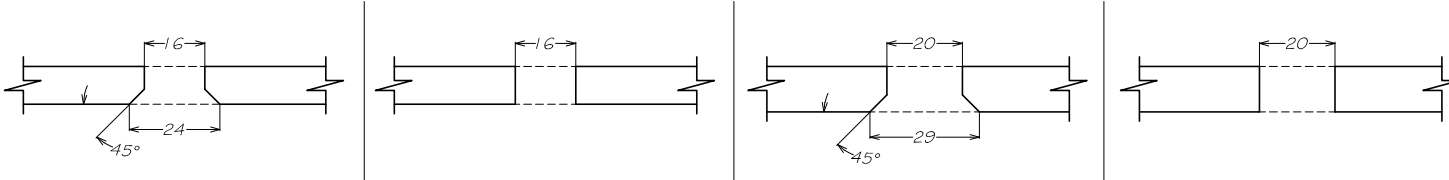


- M10 CSK SCREW**
- M10 AGA NUT
 - M10 SPRING WASHER
 - 20 x 2 x M10 FLAT WASHER
 - 20 x 0.8 x M10 FIBRE GASKET
 - 444 SPIDER PALM
 - 50 x 6mm DISC
 - 50 x 10.5 x 0.8 FIBRE GASKET
 - M10 CSK BUSH, TO SUIT GLASS THICKNESS



- M10 CSK SCREW - WITH RA DISC**
- M10 AGA NUT
 - M10 SPRING WASHER
 - 20 x 2 x M10 FLAT WASHER
 - 20 x 0.8 x M10 FIBRE GASKET
 - 444 SPIDER PALM
 - 50 x 6mm DISC
 - 50 x 10.5 x 0.8 FIBRE GASKET
 - 19.5 x 10.5 BUSH, TO SUIT GLASS THCKNESS
 - 50 x 10.5 x 0.8 FIBRE GASKET
 - 50 x 6 x M10 RA DISC

HOLE DETAILS FOR TOUGHENED GLASS



HOLE DETAILS FOR TOUGHENED LAMINATED GLASS
(THESE ARE PROJECT SPECIFIC. REFER TO MFG FOR DETAILS)

AUSTVISION



METRO FRAMELESS GLASS SYSTEMS
Unit 0735 Maunce Road, Penrose, Auckland
PO Box 112 186, Penrose, Auckland
P: +64 9 622 2643
F: +64 9 622 2648
www.metroglasstech.co.nz

444 SPIDER SERIES
CATALOGUE DRAWING
444-4-1
INCLUDES FIXING DETAILS
Architect: -
Contractor: -

REV	ISSUED	OWN BY	CHKD	DESCRIPTION	
1	A	GLAS/1/4	RS	NP	ISSUED FOR CATALOGUE
Scale:	1:2				
Dwg No.:	01				

THIS DOCUMENT IS THE PROPERTY OF METRO GLASSTECH. IT MUST NOT BE COPIED NOR THE CONTENTS PASSED ON TO ANY THIRD PARTY WITHOUT THE CONSENT OF THE COMPANY.