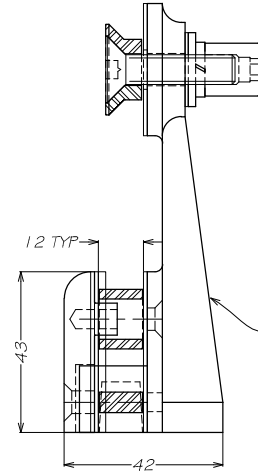
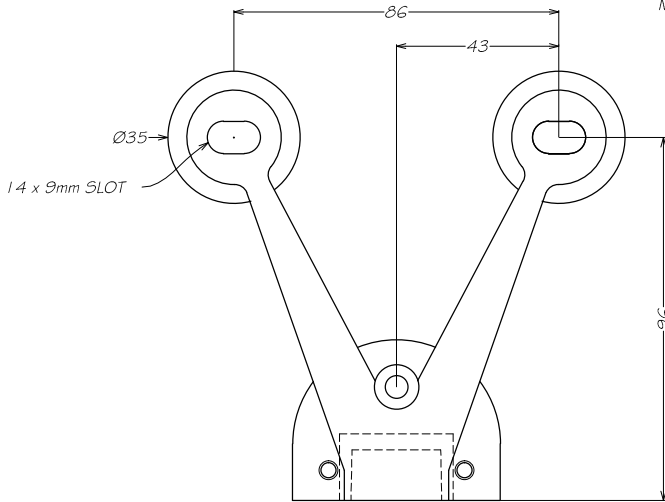


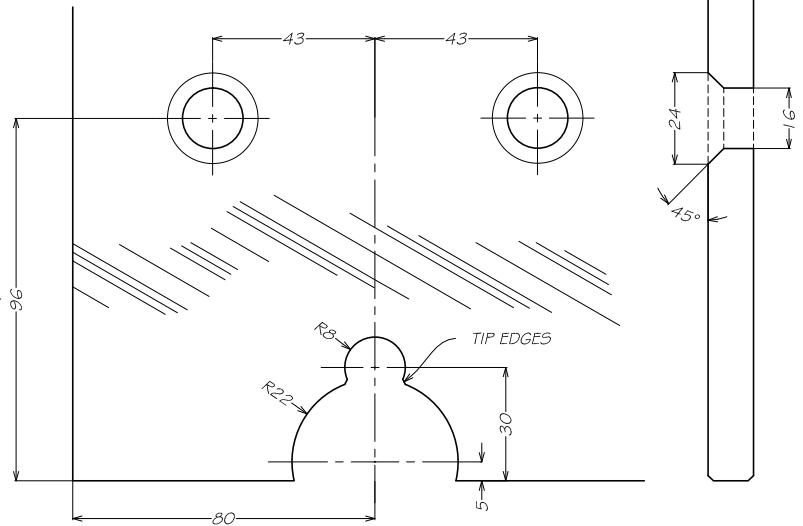
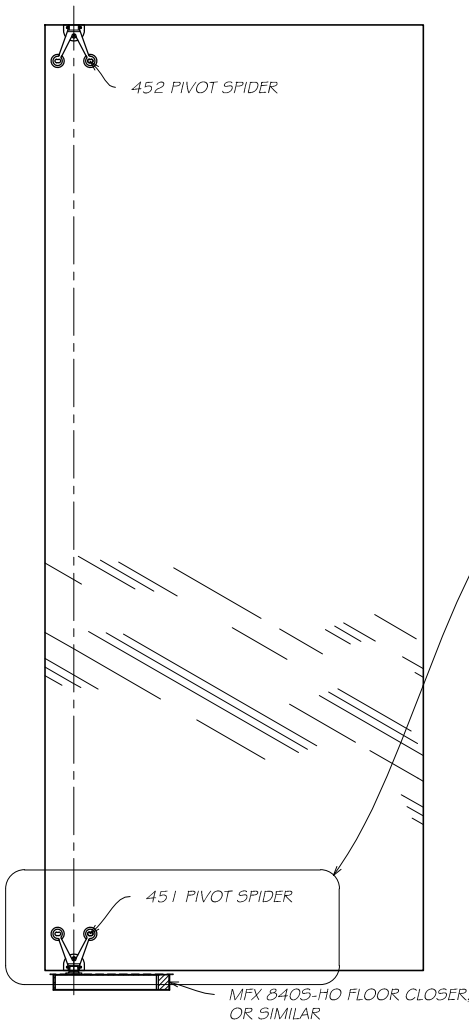
- M8 AGA NUT
- M8 SPRING WASHER
- 20 x 2 x M8 FLAT WASHER
- 20 x 0.8 x M8 FIBRE GASKET
- 451 SPIDER
- 35 x 0.8 x M8 FIBRE GASKET
- M8 CSK BUSH, TO SUIT GLASS THICKNESS



- 451 SPIDER FRONT PRESSING
- 1mm RUBBER GASKET
- M5 CSK SCREW TO SUIT WITH 15.5 x 10.5 BUSH TO SUIT
- 2 x M5 CSK SCREWS TO SUIT WITH 2 x PLASTIC SLEEVE BUSHES TO SUIT
- 1mm RUBBER GASKET
- 451 BACK PRESSING

1 451 BOTTOM PIVOT SPIDER  
MASTER COPY  
SCALE: 1:2

2 TYPICAL GLASS DETAILS  
FOR 10, 12 and 15mm GLASS  
SCALE: NTS



NOTE:  
REFER TO TYPICAL GLASS CUTOUTS  
DRAWING FOR GLASS THICKNESSES ≥ 15mm

AUSTVISION



METRO FRAMELESS GLASS SYSTEMS  
Unit 0/35 Maunice Road, Penrose, Auckland  
PO Box 112 186, Penrose, Auckland  
P: +64 9 622 2643  
F: +64 9 622 2648  
www.metroglasstech.co.nz

DOOR SPIDER SERIES  
CATALOGUE DRAWING  
451  
INCLUDES CUTOUT DETAILS  
Architect: -  
Contractor: -

| REV      | ISSUED   | OWN BY | CHKD | DESCRIPTION          |
|----------|----------|--------|------|----------------------|
| A        | 08/09/14 | RS     | -    | ISSUED FOR CATALOGUE |
| Scale:   | 1:2      | -      | -    | -                    |
| Dwg No.: | 01       | -      | -    | -                    |

THIS DOCUMENT IS THE PROPERTY OF METRO GLASSTECH. IT MUST NOT BE COPIED NOR THE CONTENTS PASSED ON TO ANY THIRD PARTY WITHOUT THE CONSENT OF THE COMPANY.